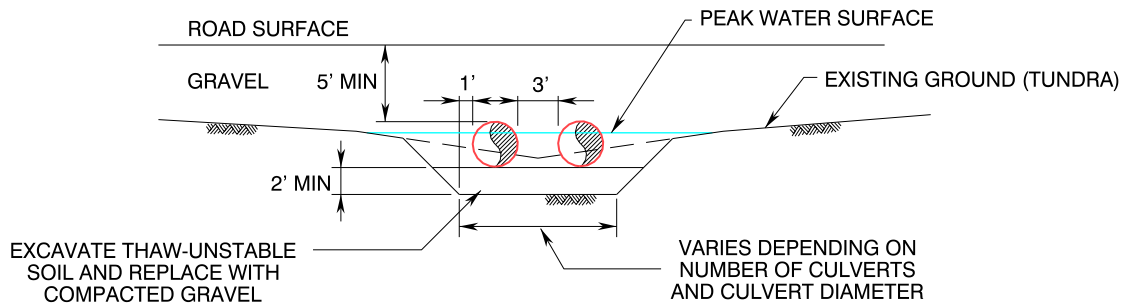


PLAN VIEW



CROSS SECTION A - A'

ExxonMobil

POINT THOMSON GAS CYCLING PROJECT
 PLAN AND CROSS SECTION
 STREAM CROSSING RX-26-5
 ROUND CULVERT EXAMPLE

DATE:
 February 2003

SCALE:
 Not to Scale

FIGURE:
 7 - 6

FACILITY PLACEMENT AND
 DIMENSIONS ARE APPROXIMATE
 02-10-03 REVISION