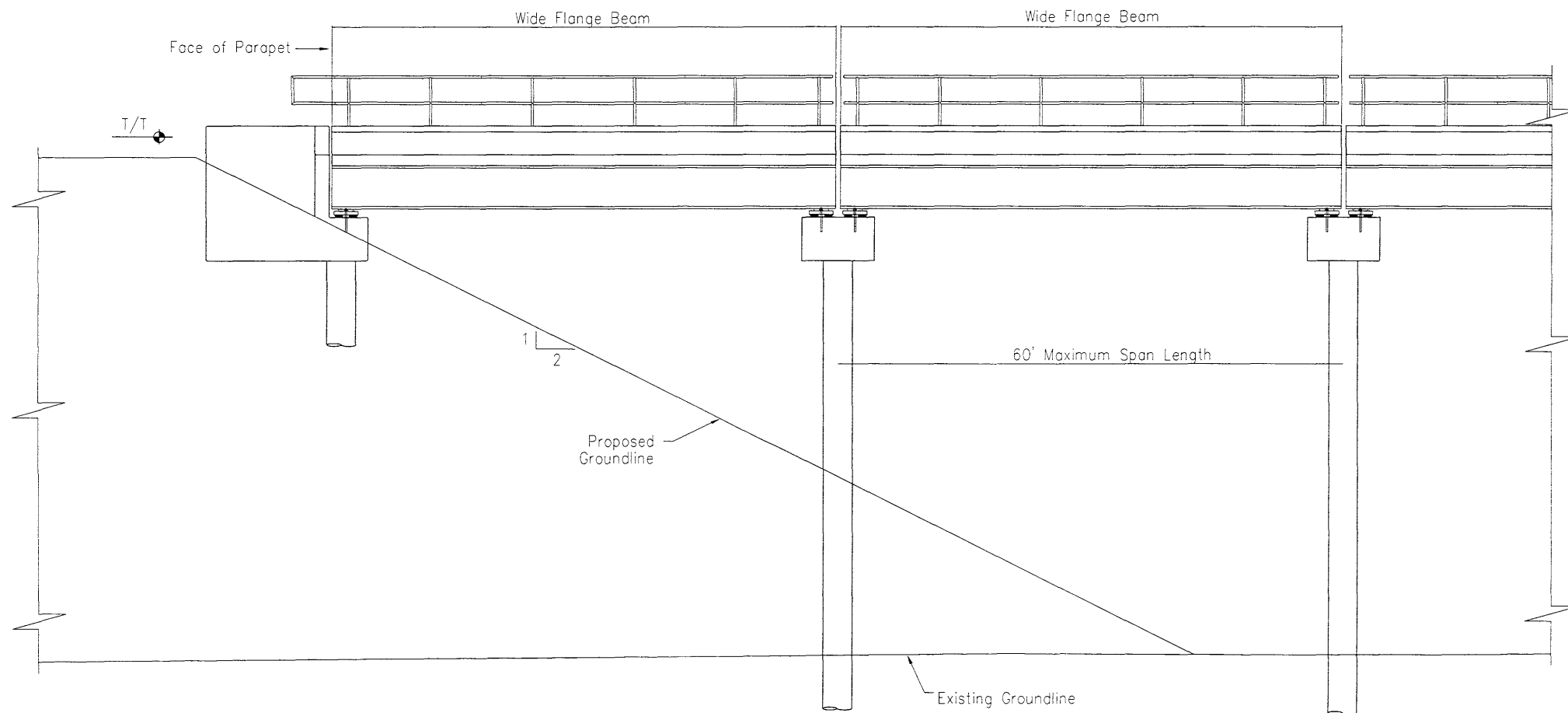
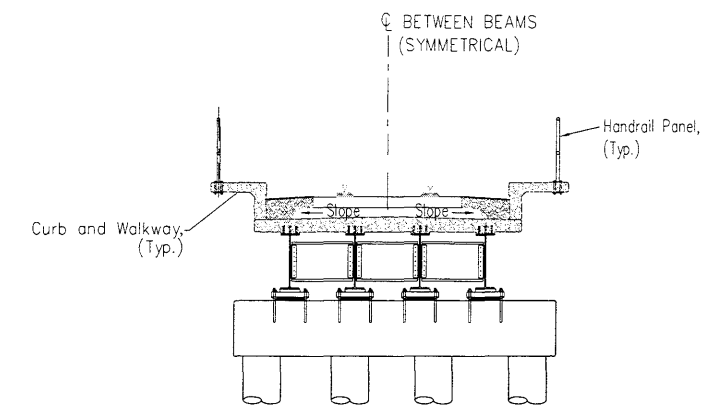


TYPICAL RAILROAD SECTION

<b>DRAFT</b>	DESIGNED BY: MAP	SCALE: AS NOTED	AFE NO.:
	DRAWN BY: IL	DATE: 10 SEPT 07	ACAD FILE: 01-Typ Track.dwg
AUTHORED BY: TNH-HANSON, LLC	CHECKED BY:	APPROVED BY:	DWG NO. 1 OF



**TYPICAL ELEVATION**



**TYPICAL CROSS SECTION**



TITLE: TYPICAL RAILROAD BRIDGE  
MEDIUM SPAN

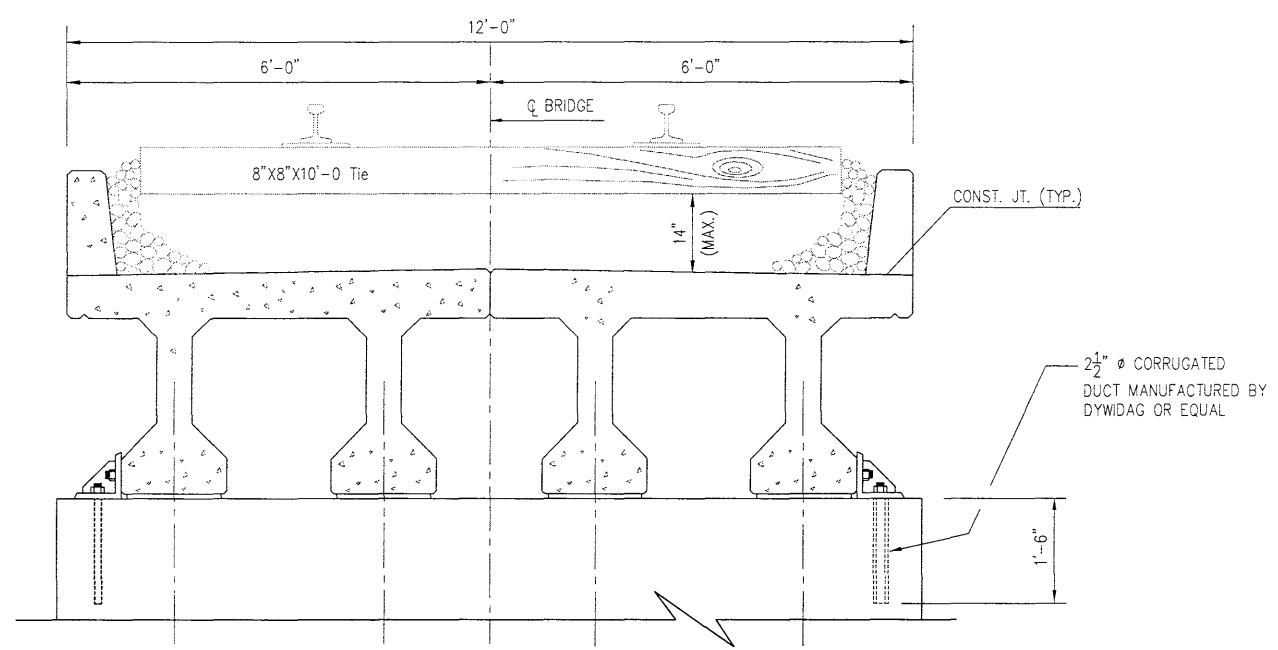
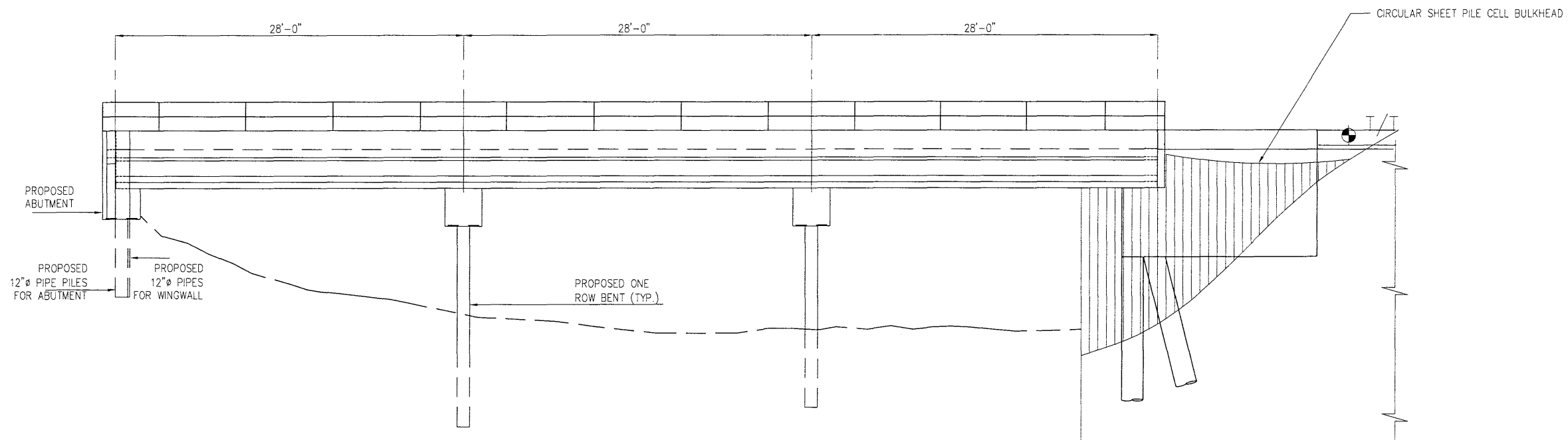
**DRAFT**

AUTHORED BY: TNH-HANSON, LLC

DESIGNED BY: DNF  
DRAWN BY: TL  
CHECKED BY:  
APPROVED BY:

SCALE: AS NOTED  
DATE: 10 SEPT 07

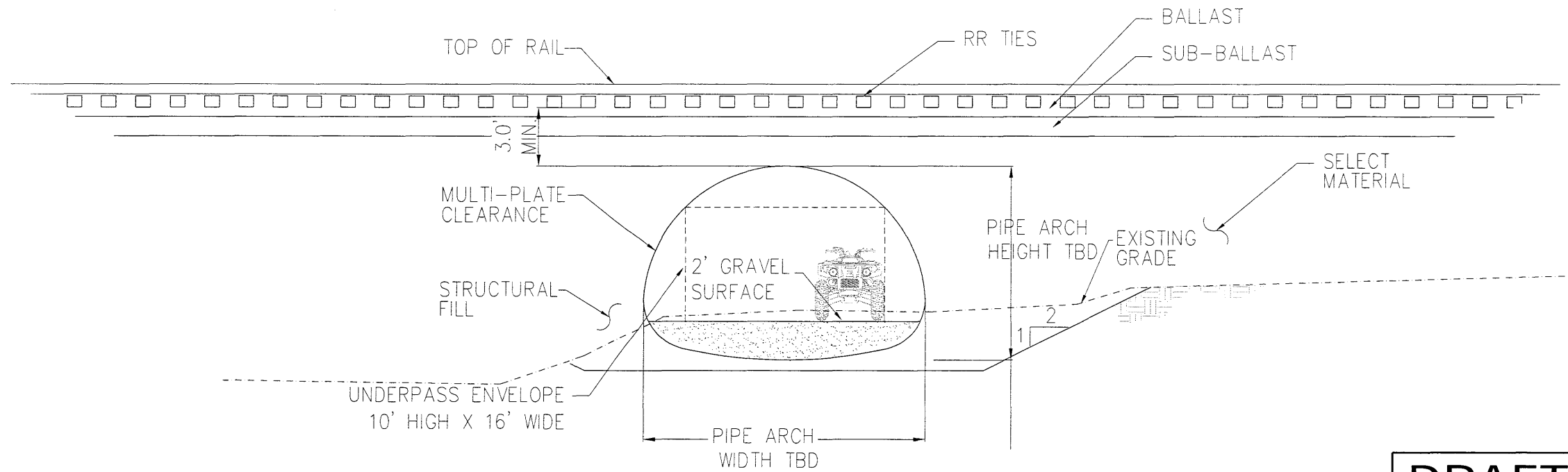
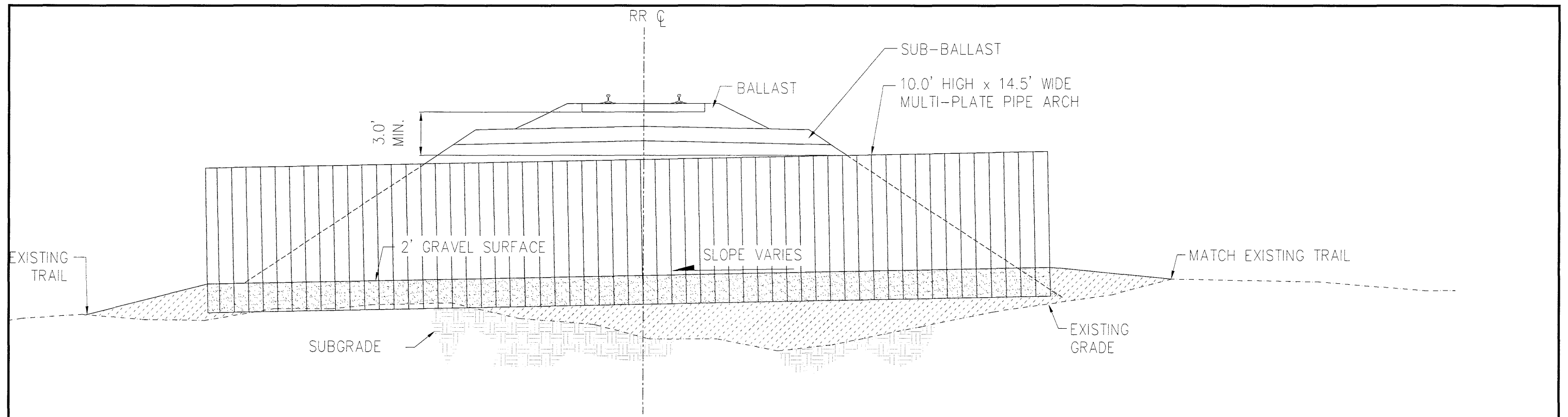
AFE NO.:  
ACAD FILE: 10-Short Span.dwg  
DWG NO.:  
8 OF



TYPICAL RAILROAD BRIDGE  
SHORT SPAN CONCRETE

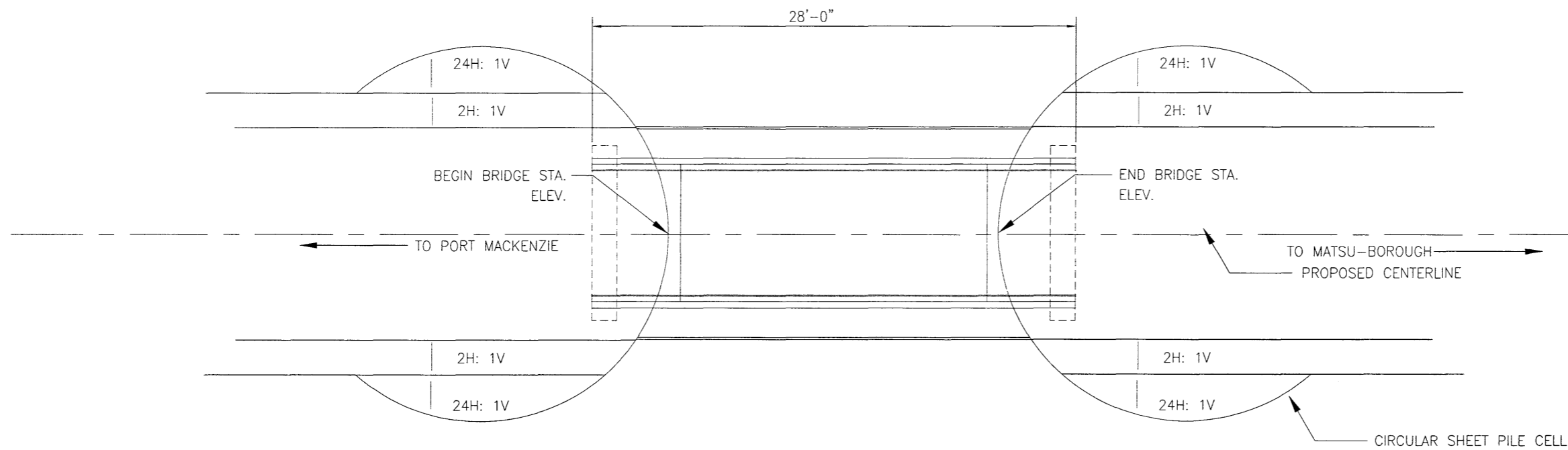
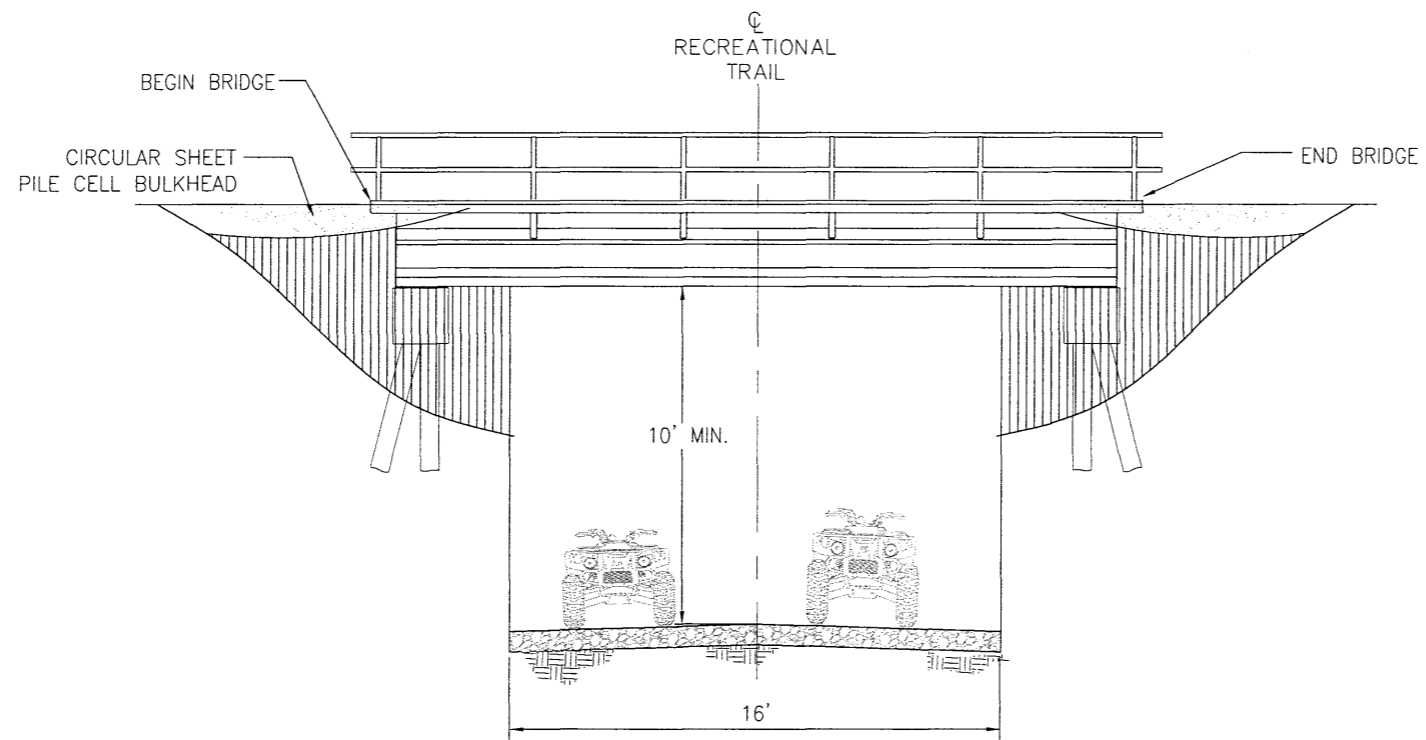
**DRAFT**  
AUTHORED BY: TNH-HANSON, LLC

DESIGNED BY: DNF	SCALE: AS NOTED	AFE NO.:
DRAWN BY: TL	DATE: 10 SEPT 07	ACAD FILE: 09-SCS.dwg
CHECKED BY:		DWG NO. 7 OF
APPROVED BY:		



<b>TYPICAL PIPE ARCH RAILROAD OVER TRAIL SECTION</b>		
DESIGNED BY: MAP	SCALE: AS NOTED	AFE NO.: 07101.000
DRAWN BY: TL	CHECKED BY: _____	ACAD FILE: 08-PARRot.dwg
CHECKED BY: _____	DATE: 10 SEPT 07	DWG NO. _____
APPROVED BY: _____		<b>6</b> OF _____

**DRAFT**  
AUTHORED BY: TNH-HANSON, LLC



TYPICAL RAILROAD SHORT SPAN  
BRIDGE SECTION OVER TRAIL

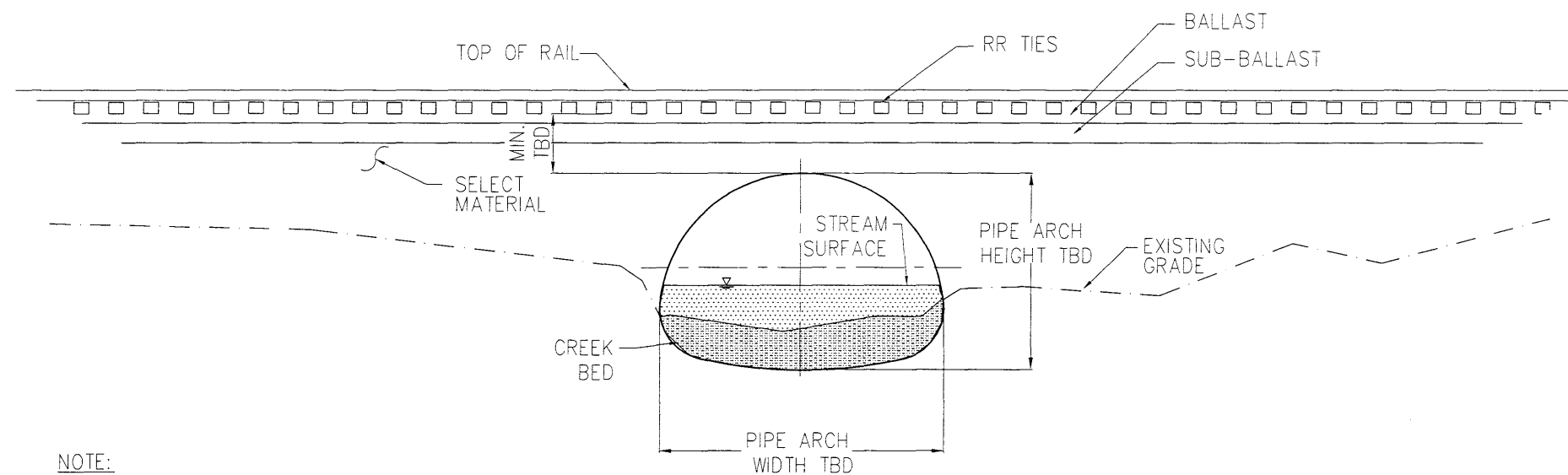
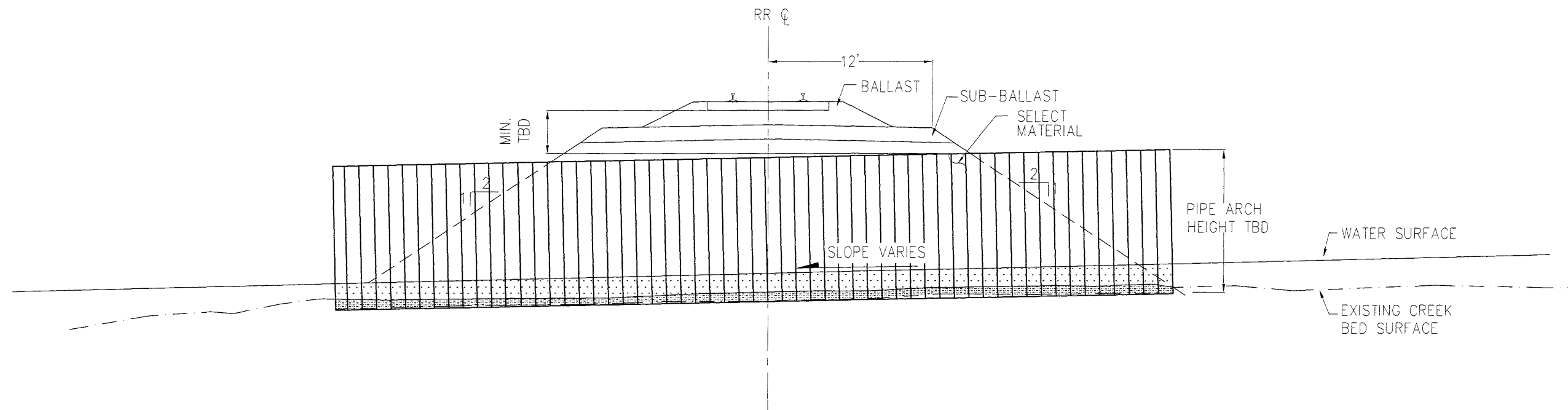
**DRAFT**

AUTHORED BY: TNH-HANSON, LLC

DESIGNED BY: DNF  
DRAWN BY: TL  
CHECKED BY:  
APPROVED BY:

SCALE: AS NOTED  
DATE: 10 SEPT 07

AFE NO.:  
ACAD FILE: 07-150t.dwg  
DWG NO.:  
5 OF



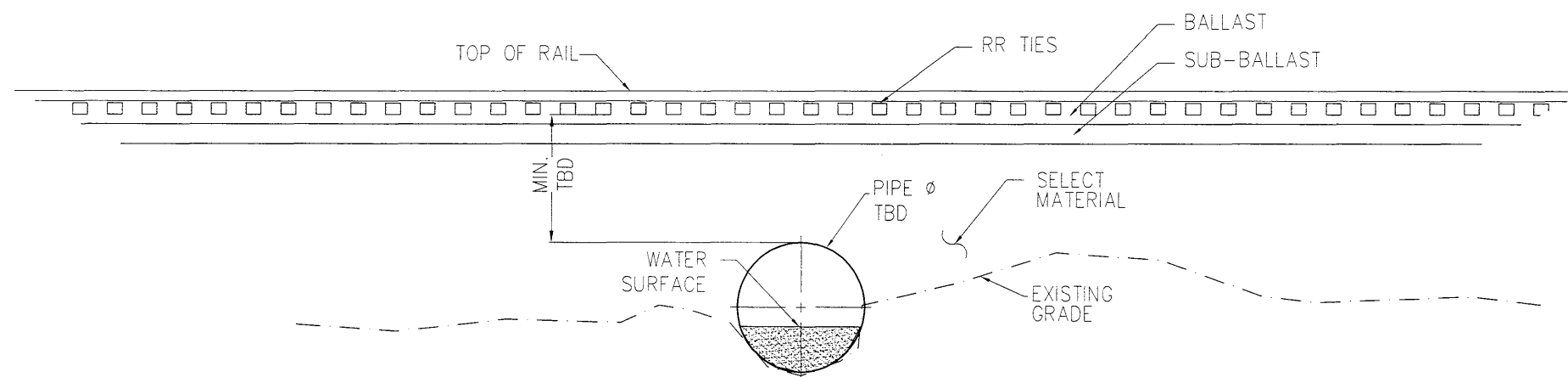
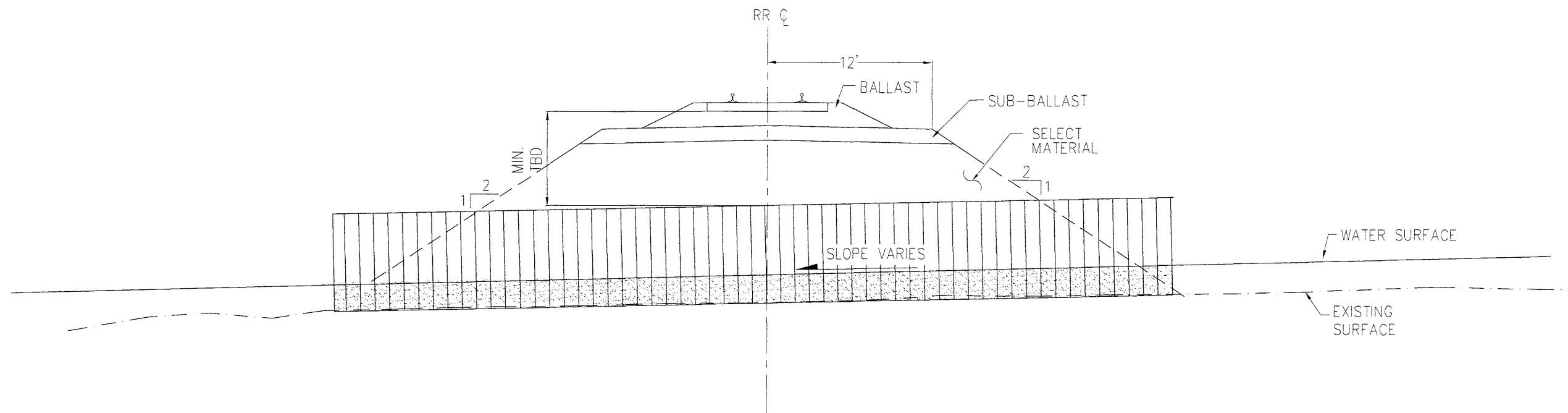
**NOTE:**

1. H&H ANALYSIS TO DETERMINE IMPLEMENTATION OF HEADWALL(S).
2. FOR STEEP/EXCESSIVE CREEK BED SLOPES, CONSTRUCT SETTLE POND PRIOR TO CULVERT INLET.
3. CREEK BED MATERIAL SHALL MATCH ADJACENT RIVER BED MATERIAL.



**TYPICAL PIPE ARCH SECTION  
RAILROAD OVER FISH HABITAT**

<b>DRAFT</b>	DESIGNED BY: MAP	SCALE: AS NOTED	AFE NO.: 07101.000
	DRAWN BY: TL	DATE: 10 SEPT 07	ACAD FILE: 05-PARRoc
AUTHORED BY: TNH-HANSON, LLC	CHECKED BY:	APPROVED BY:	DWG NO. <b>4</b> OF



**NOTE:**

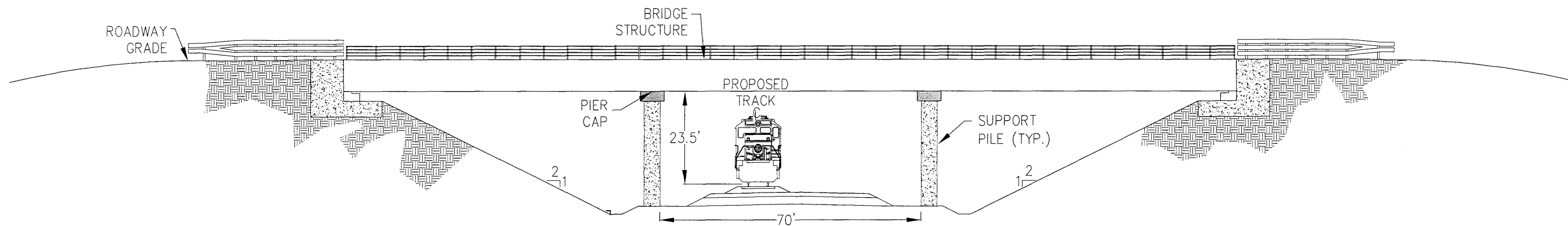
1. H&H ANALYSIS TO DETERMINE IMPLEMENTATION OF HEADWALL(S).



**TYPICAL PIPE SECTION  
RAILROAD OVER SMALL WATER CROSSING**

<b>DRAFT</b>	DESIGNED BY: MAP	SCALE: AS NOTED	DATE NO.: 07101.000
	DRAWN BY: TL		ACAD FILE: 04-CRROR.DWG
	CHECKED BY: _____	DATE: 10 SEPT 07	DWG NO. _____
	APPROVED BY: _____		<b>3</b> OF _____

AUTHORED BY: TNH-HANSON, LLC



**TYPICAL ROAD OVER RAILROAD SECTION**



TITLE: TYPICAL ROAD OVER RAILROAD SECTION

**DRAFT**

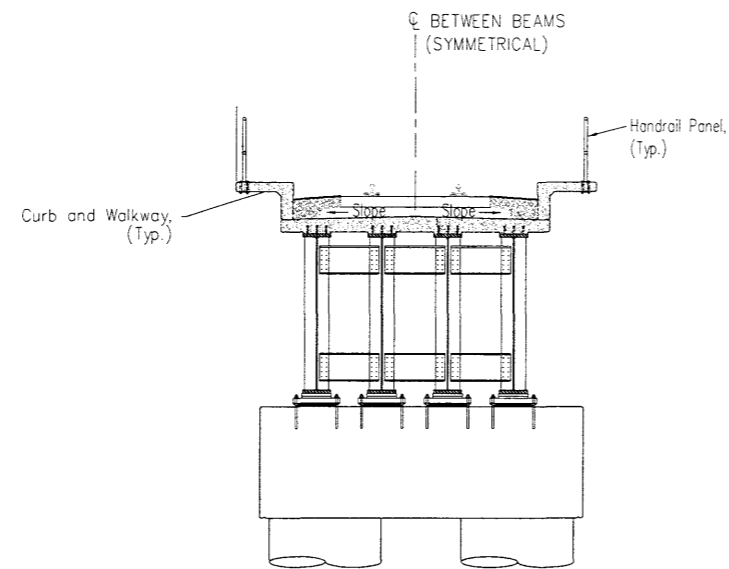
AUTHORED BY: TNH-HANSON, LLC

DESIGNED BY: DNF  
 DRAWN BY: TL  
 CHECKED BY:  
 APPROVED BY:

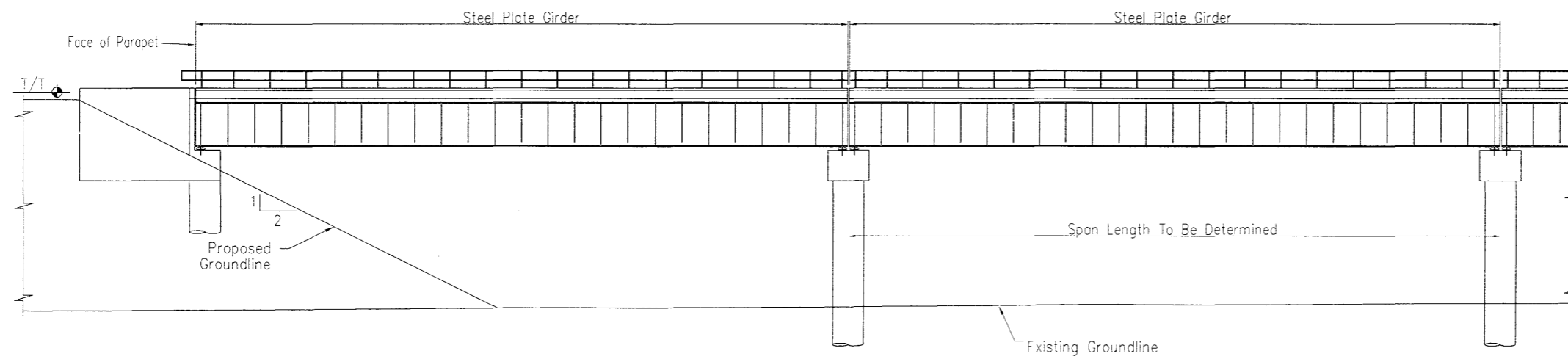
SCALE: AS NOTED  
 DATE: 10 SEPT 07

SAFE NO.:  
 ACAD FILE: 03-Road over RR.dwg  
 DWG NO.:  
 2 OF





**TYPICAL CROSS SECTION**



**TYPICAL ELEVATION**



TITLE: **TYPICAL RAILROAD BRIDGE  
LONG SPAN**

<b>DRAFT</b>	DESIGNED BY: DNF	SCALE: AS NOTED	AFE NO.:
	DRAWN BY: TL	CHECKED BY: _____	ACAD FILE: 11-Long_Span.dwg
	CHECKED BY: _____	DATE: 10 SEPT 07	DWG NO.:
	APPROVED BY: _____		9 OF _____
AUTHORED BY: TNH-HANSON, LLC			