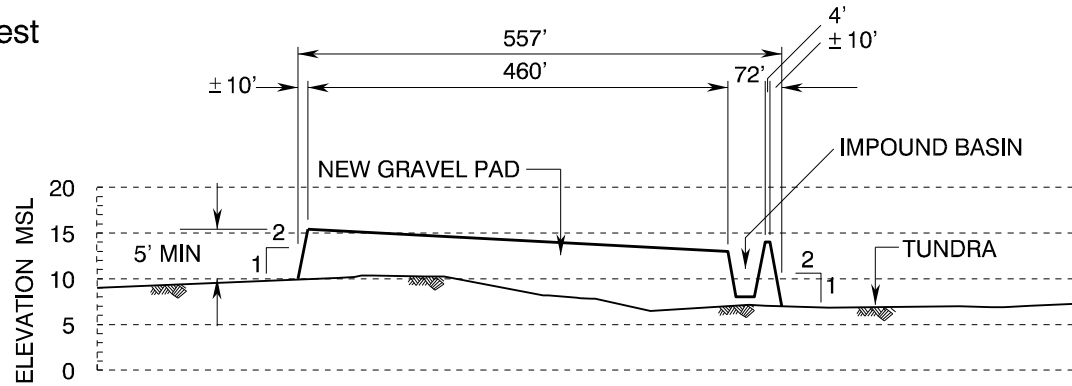


West

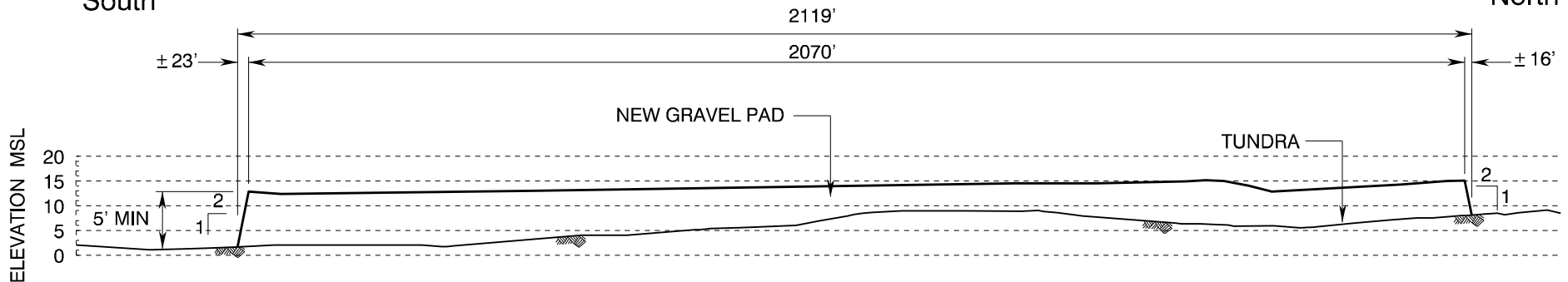
East



CROSS SECTION A - A'

South

North



CROSS SECTION B - B'

ExxonMobil

POINT THOMSON GAS CYCLING PROJECT
CENTRAL PROCESSING FACILITY PAD
CROSS - SECTIONS

DATE:
February 2003

SCALE:
Not to Scale

FIGURE:
5 - 7

FACILITY PLACEMENT AND
DIMENSIONS ARE APPROXIMATE
02-10-03 REVISION

MSL = Mean Sea Level