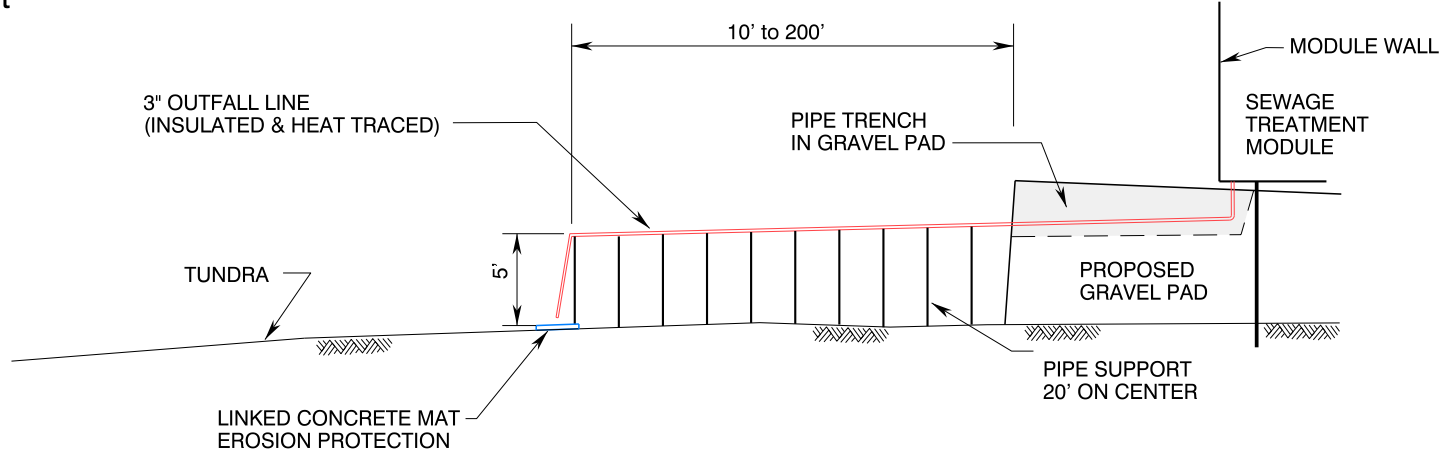
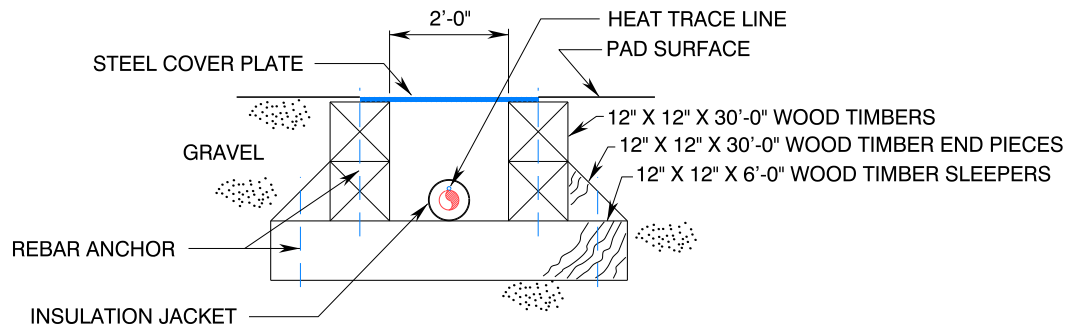


West

East



SEWAGE OUTFALL PROFILE



SEWAGE OUTFALL TRENCH  
DETAIL ON GRAVEL PAD

FACILITY PLACEMENT AND  
DIMENSIONS ARE APPROXIMATE  
02-10-03 REVISION

**ExxonMobil**

POINT THOMSON GAS CYCLING PROJECT  
SEWAGE OUTFALL  
PROFILE

DATE:  
February 2003

SCALE:  
Not to Scale

FIGURE:  
13-1