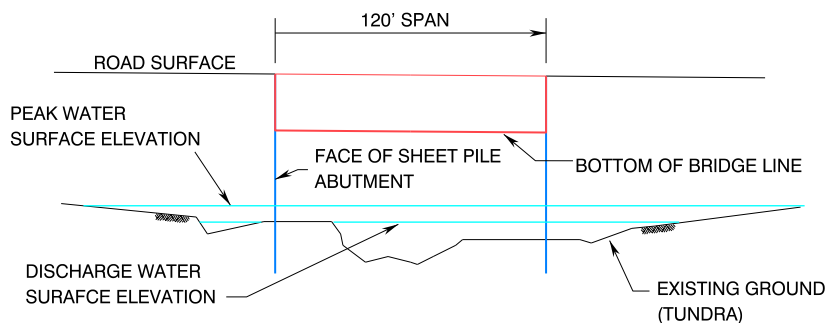


PLAN VIEW



CROSS SECTION A - A'

THREE BRIDGES FOR THIS PROJECT
SPANS OF 50', 100' AND 120'

FACILITY PLACEMENT AND
DIMENSIONS ARE APPROXIMATE
02-10-03 REVISION

ExxonMobil

POINT THOMSON GAS CYCLING PROJECT
PLAN AND CROSS SECTION
STREAM CROSSING RX-28
BRIDGE EXAMPLE

DATE:
February 2003

SCALE:
Not to Scale

FIGURE:
7-9